



SC18IS602/602B/603

I²C-bus to SPI bridge

Rev. 04 — 11 March 2008

Product data sheet

1. General description

The SC18IS602/602B and SC18IS603 are designed to serve as an interface between a standard I²C-bus of a microcontroller and an SPI bus. This allows the microcontroller to communicate directly with SPI devices through its I²C-bus. The SC18IS602/602B/603 operates as an I²C-bus slave-transmitter or slave-receiver and an SPI master. The SC18IS602/602B/603 controls all the SPI bus-specific sequences, protocol, and timing.

The SC18IS602/602B has its own internal oscillator, while the SC18IS603 requires an external clock source for operation. SC18IS602 and SC18IS603 do not support $\overline{SS}2$ function as SPI slave select signal; this pin can only be used as GPIO2.

2. Features

- I²C-bus slave interface operating up to 400 kHz
- SPI master operating up to 1.8 Mbit/s (SC18IS602/602B) or 4 Mbit/s (SC18IS603)
- 200-byte data buffer
- Up to four slave select outputs
- Up to four programmable I/O pins
- Operating supply voltage: 2.4 V to 3.6 V
- Low power mode
- Internal oscillator option
- Active LOW interrupt output
- ESD protection exceeds 2000 V HBM per JESD22-A114, 200 V MM per JESD22-A115, and 1000 V CDM per JESD22-C101
- Latch-up testing is done to JEDEC Standard JESD78 that exceeds 100 mA
- Very small 16-pin TSSOP

3. Applications

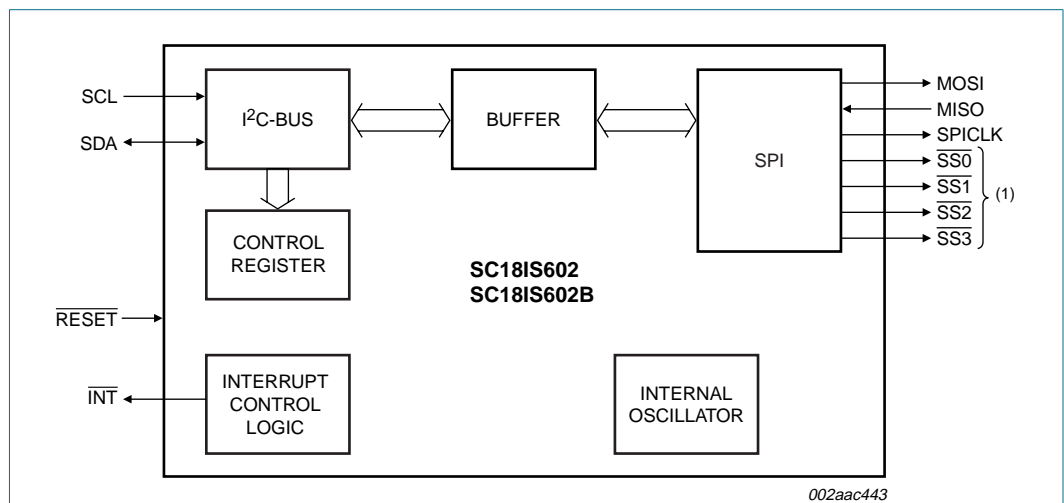
- Converting I²C-bus to SPI
- Adding additional SPI bus controllers to an existing system

4. Ordering information

Table 1. Ordering information

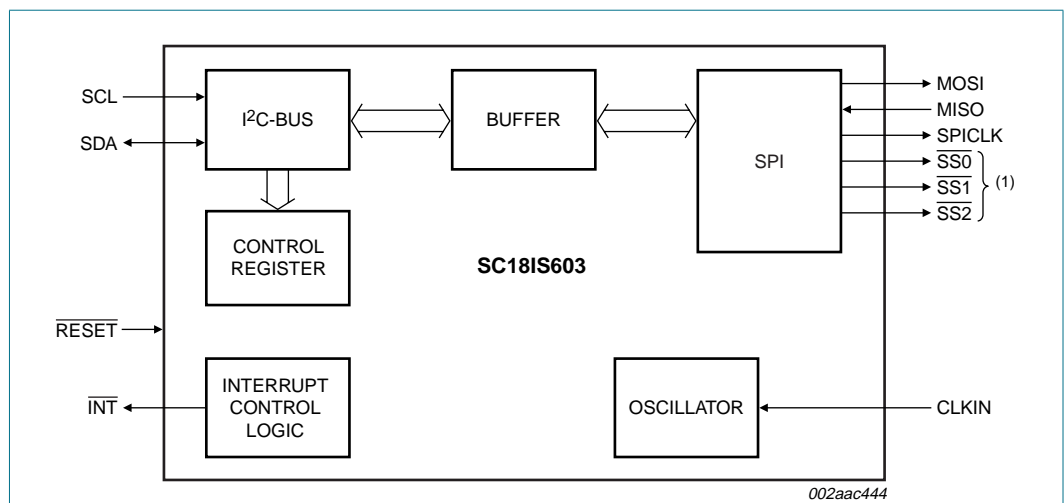
Type number	Package		Version
	Name	Description	
SC18IS602IPW	TSSOP16	plastic thin shrink small outline package; 16 leads; body width 4.4 mm	SOT403-1
SC18IS602BIPW	TSSOP16	plastic thin shrink small outline package; 16 leads; body width 4.4 mm	SOT403-1
SC18IS603IPW	TSSOP16	plastic thin shrink small outline package; 16 leads; body width 4.4 mm	SOT403-1

5. Block diagram



(1) Unused slave select outputs may be used for GPIO.

Fig 1. Block diagram of SC18IS602/602B

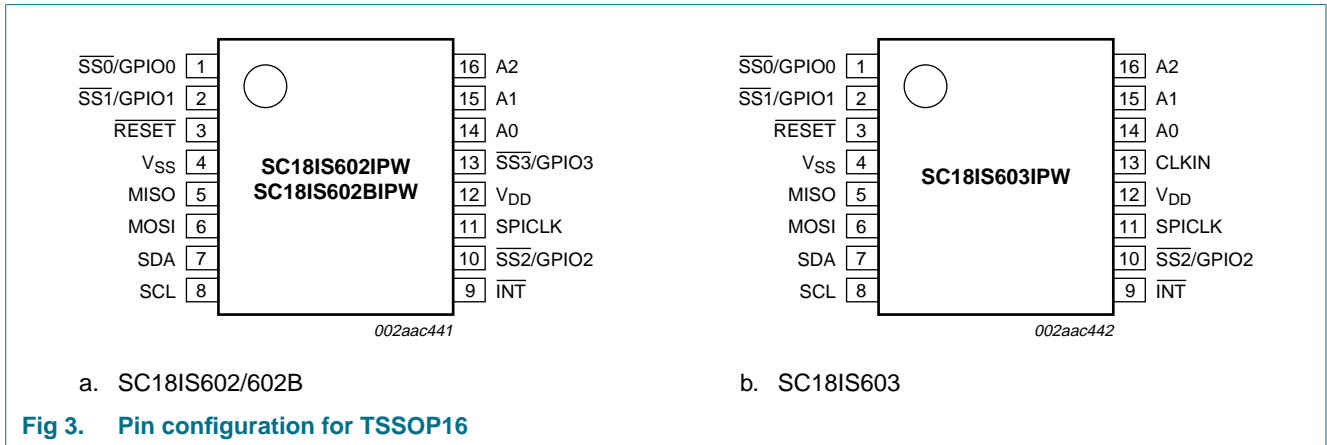


(1) Unused slave select outputs may be used for GPIO; SC18IS603 does not have SS3.

Fig 2. Block diagram of SC18IS603

6. Pinning information

6.1 Pinning



6.2 Pin description

Table 2. Pin description

Symbol	Pin		Type	Description
	SC18IS602, SC18IS602B	SC18IS603		
SS0/GPIO0	1	1	I/O	SPI slave select output 0 (active LOW) or GPIO 0
SS1/GPIO1	2	2	I/O	SPI slave select output 1 (active LOW) or GPIO 1
RESET	3	3	I	reset input (active LOW)
V _{SS}	4	4	-	ground supply
MISO	5	5	I	Master In, Slave Out
MOSI	6	6	O	Master Out, Slave In
SDA	7	7	I/O	I ² C-bus data
SCL	8	8	I	I ² C-bus clock
INT	9	9	O	interrupt output (active LOW)
SS2/GPIO2	10 ^{[1][2]}	10 ^[1]	I/O	SPI slave select output 2 (active LOW) or GPIO 2
SPICLK	11	11	O	SPI clock
V _{DD}	12	12	-	supply voltage
SS3/GPIO3	13	-	I/O	SPI slave select output 3 (active LOW) or GPIO 3
CLKIN	-	13	I	external clock input
A0	14	14	I	address input 0
A1	15	15	I	address input 1
A2	16	16	I	address input 2

[1] SC18IS602IPW and SC18IS603IPW do not support SS2. This pin should be used as GPIO2 only.

[2] SC18IS602BIPW does support SS2/GPIO2 function. This pin can be used as SS2 or GPIO2.

7. Functional description

The SC18IS602/602B/603 acts as a bridge between an I²C-bus and an SPI interface. It allows an I²C-bus master device to communicate with any SPI-enabled device.

7.1 I²C-bus interface

The I²C-bus uses two wires (SDA and SCL) to transfer information between devices connected to the bus, and it has the following features:

- Bidirectional data transfer between masters and slaves
- Multi-master bus (no central master)
- Arbitration between simultaneously transmitting masters without corruption of serial data on the bus
- Serial clock synchronization allows devices with different bit rates to communicate via one serial bus
- Serial clock synchronization can be used as a handshake mechanism to suspend and resume serial transfer
- The I²C-bus may be used for test and diagnostic purposes

A typical I²C-bus configuration is shown in [Figure 4](#). (Refer to NXP Semiconductors' *UM10204, "I²C-bus specification and user manual"*, document order number 9398 393 40011.)

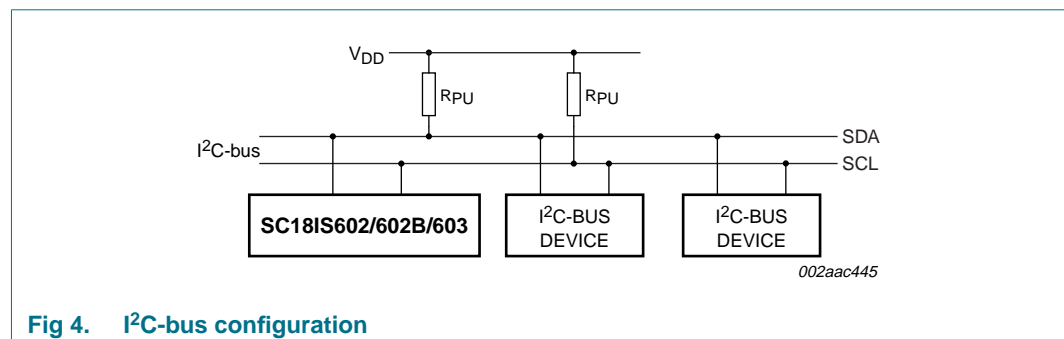


Fig 4. I²C-bus configuration

The SC18IS602/602B/603 device provides a byte-oriented I²C-bus interface that supports data transfers up to 400 kHz. When the I²C-bus master is reading data from SC18IS60x, the device will be a slave-transmitter. The SC18IS60x will be a slave-receiver when the I²C-bus master is sending data. At no time does the SC18IS60x act as an I²C-bus master, however, it does have the ability to hold the SCL line LOW between bytes to complete its internal processes.

7.1.1 Addressing

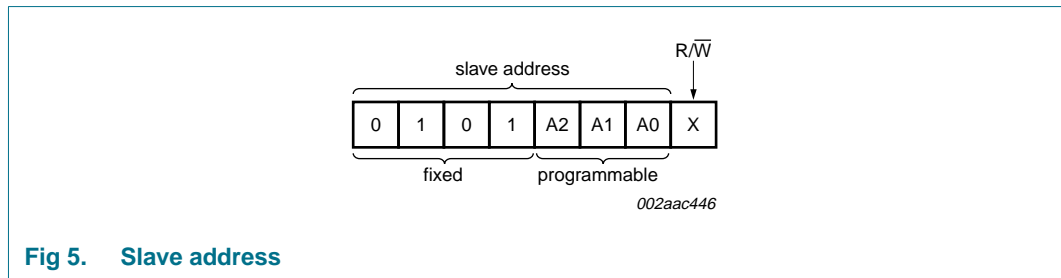


Fig 5. Slave address

The first seven bits of the first byte sent after a START condition defines the slave address of the device being accessed on the bus. The eighth bit determines the direction of the message. A '0' in the least significant position of the first byte means that the master will write information to a selected slave. A '1' in this position means that the master will read information from the slave. When an address is sent, each device in a system compares the first seven bits after the START condition with its address. If they match, the device considers itself addressed by the master as a slave-receiver or slave-transmitter, depending on the R/W bit.

A slave address of the SC18IS602/602B/603 is comprised of a fixed and a programmable part. The programmable part of the slave address enables the maximum possible number of such devices to be connected to the I²C-bus. Since the SC18IS602/602B/603 have three programmable address bits (defined by the A2, A1, and A0 pins), it is possible to have eight of these devices on the same bus.

The state of the A2, A1, and A0 pins are latched at reset. Changes made after reset will not alter the address.

7.1.2 Write to data buffer

All communications to or from the SC18IS602/602B/603 occur through the data buffer. The data buffer is 200 bytes deep. A message begins with the SC18IS60x address, followed by the Function ID. Depending upon the Function ID, zero to 200 data bytes can follow.

The SC18IS60x will place the data received into a buffer and continue loading the buffer until a STOP condition is received. After the STOP condition is detected, further communications will not be acknowledged until the function designated by the Function ID has been completed.

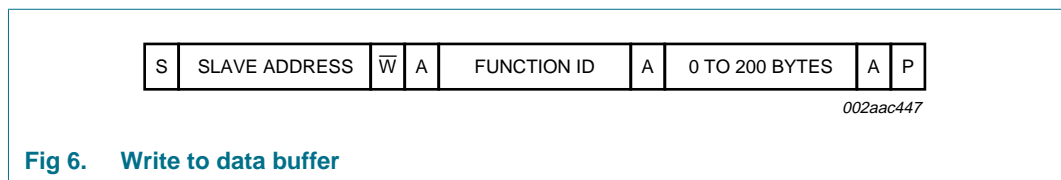


Fig 6. Write to data buffer

7.1.3 SPI read and write - Function ID 01h to 0Fh

Data in the buffer will be sent to the SPI port if the Function ID is 01h to 0Fh. The Function ID contains the Slave Select (SS) to be used for the transmission on the SPI port. There are four Slave Selects that can be used, with each SS being selected by one of the bits in

the Function ID. There is no restriction on the number or combination of Slave Selects that can be enabled for an SPI message. If more than one \overline{SS}_n pin is enabled at one time, the user should be aware of possible contention on the data outputs of the SPI slave devices.

Table 3. Function ID 01h to 0Fh

7	6	5	4	3	2	1	0
0	0	0	0	SS3 ^[1]	SS2 ^[2]	SS1	SS0

[1] SS3 does not exist in the SC18IS603.

[2] SS2 does not exist in the SC18IS602 and SC18IS603. Only SC18IS602B supports this function.

The data on the SPI port will contain the same information as the I²C-bus data, but without the slave address and Function ID. For example, if the message shown in [Figure 7](#) is transmitted on the I²C-bus, the SPI bus will send the message shown in [Figure 8](#).

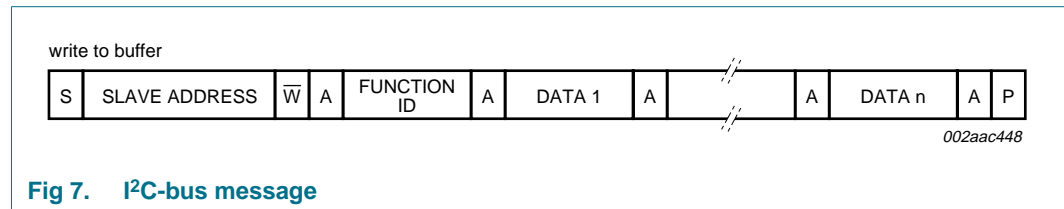


Fig 7. I²C-bus message

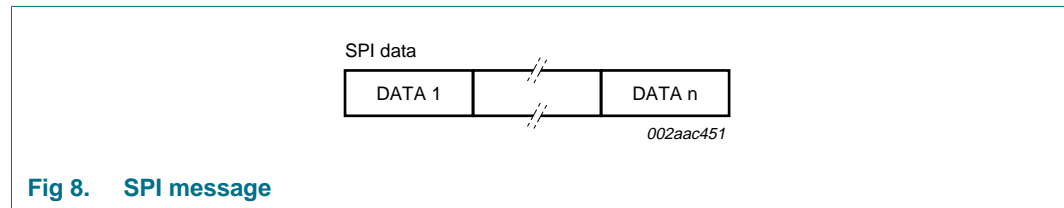


Fig 8. SPI message

The SC18IS602/602B/603 counts the number of data bytes sent to the I²C-bus port and will automatically send this same number of bytes to the SPI bus. As the data is transmitted from the MOSI pin, it is also read from the MISO pin and saved in the data buffer. Therefore, the old data in the buffer is overwritten. The data in the buffer can then be read back.

If the data from the SPI bus needs to be returned to the I²C-bus master, the process must be completed by reading the data buffer. [Section 8](#) gives an example of an SPI read.

7.1.4 Read from buffer

A read from the data buffer requires no Function ID. The slave address with the R/W bit set to a '1' will cause the SC18IS602/602B/603 to send the buffer contents to the I²C-bus master. The buffer contents are not modified during the read process.

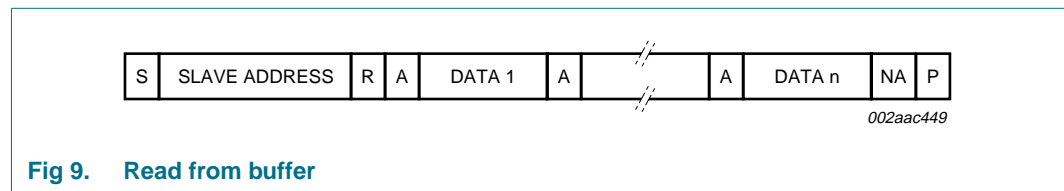


Fig 9. Read from buffer

A typical write and read from an SPI EEPROM is shown in [Section 8](#).

7.1.5 Configure SPI Interface - Function ID F0h

The SPI hardware operating mode, data direction, and frequency can be changed by sending a 'Configure SPI Interface' command to the I²C-bus.

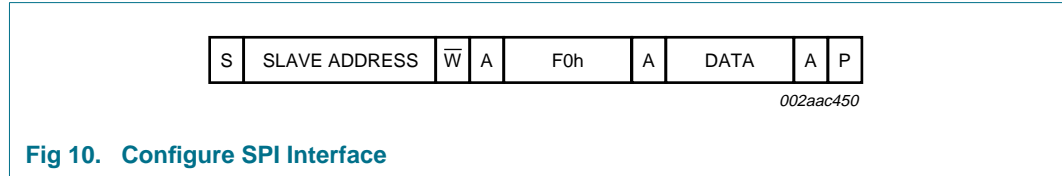


Fig 10. Configure SPI Interface

After the SC18IS602/602B/603 address is transmitted on the bus, the Configure SPI Interface Function ID (F0h) is sent followed by a byte which will define the SPI communications.

The Clock Phase bit (CPHA) allows the user to set the edges for sampling and changing data. The Clock Polarity bit (CPOL) allows the user to set the clock polarity. [Figure 20](#) and [Figure 21](#) show the different settings of Clock Phase bit CPHA.

Table 4. Configure SPI Interface (F0h) bit allocation

Bit	7	6	5	4	3	2	1	0
Symbol	X	X	ORDER	X	MODE1	MODE0	F1	F0
Reset	X	X	0	X	0	0	0	0

Table 5. Configure SPI Interface (F0h) bit description

Bit	Symbol	Description
7:6	-	reserved
5	ORDER	When logic 0, the MSB of the data word is transmitted first. If logic 1, the LSB of the data word is transmitted first.
4	-	reserved
3:2	MODE1:MODE0	Mode selection 00 - SPICLK LOW when idle; data clocked in on leading edge (CPOL = 0, CPHA = 0) 01 - SPICLK LOW when idle; data clocked in on trailing edge (CPOL = 0, CPHA = 1) 10 - SPICLK HIGH when idle; data clocked in on trailing edge (CPOL = 1, CPHA = 0) 11 - SPICLK HIGH when idle; data clocked in on leading edge (CPOL = 1, CPHA = 1)
1:0	F1:F0	SPI clock rate SC18IS602/602B: 00 - 1843 kHz 01 - 461 kHz 10 - 115 kHz 11 - 58 kHz SC18IS603: 00 - $f_{osc}/4$ 01 - $f_{osc}/16$ 10 - $f_{osc}/64$ 11 - $f_{osc}/128$

7.1.6 Clear Interrupt - Function ID F1h

An interrupt is generated by the SC18IS602/602B/603 after any SPI transmission has been completed. This interrupt can be cleared ($\overline{\text{INT}}$ pin HIGH) by sending a ‘Clear Interrupt’ command. It is not necessary to clear the interrupt; when polling the device, this function may be ignored.

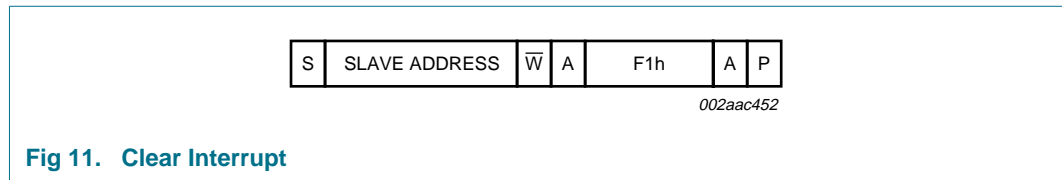


Fig 11. Clear Interrupt

7.1.7 Idle mode - Function ID F2h

A low-power mode may be entered by sending the ‘Idle Mode’ command.

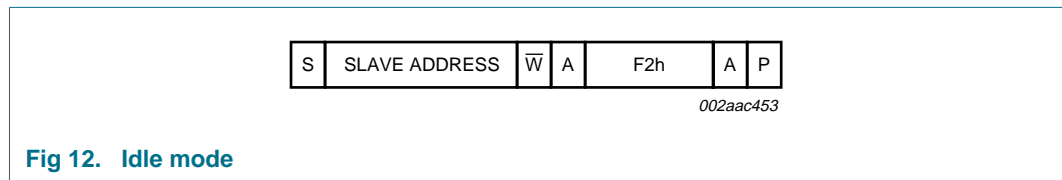


Fig 12. Idle mode

The Idle mode will be exited when its I²C-bus address is detected.

7.1.8 GPIO Write - Function ID F4h

The state of the pins defined as GPIO may be changed using the Port Write function.

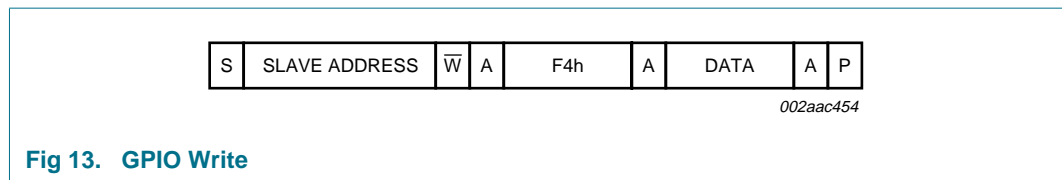


Fig 13. GPIO Write

The data byte following the F4h command will determine the state of SS3, SS2, SS1, and SS0, if they are configured as GPIO. The Port Enable function will define if these pins are used as SPI Slave Selects or if they are GPIO.

Table 6. GPIO Write (F0h) bit allocation

Bit	7	6	5	4	3	2	1	0
Symbol	X	X	X	X	SS3 ^[1]	SS2	SS1	SS0
Reset	X	X	X	X	0	0	0	0

[1] SS3 does not exist in the SC18IS603.

7.1.9 GPIO Read - Function ID F5h

The state of the pins defined as GPIO may be read into the SC18IS602/602B/603 data buffer using the GPIO Read function.

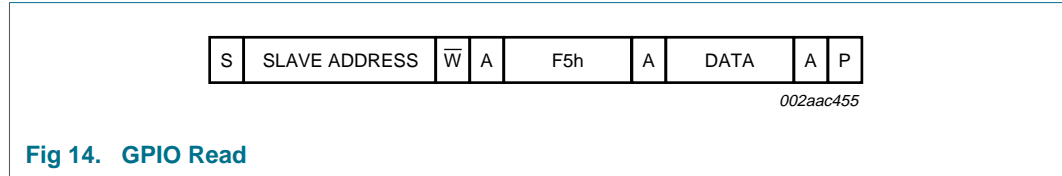


Fig 14. GPIO Read

Note that this function does not return the value of the GPIO. To receive the GPIO contents, a one-byte Read Buffer command would be required. The value of the Read Buffer command will return the following byte.

Table 7. GPIO Read (F5h) bit allocation

7	6	5	4	3	2	1	0
X	X	X	X	SS3 ^[1]	SS2	SS1	SS0

[1] SS3 does not exist in the SC18IS603.

Data for pins not defined as GPIO are undefined.

A GPIO Read is always performed to update the GPIO data in the buffer. The buffer is undefined after the GPIO data is read back from the buffer. Therefore, reading data from the GPIO always requires a two-message sequence (GPIO Read, followed by Read Buffer).

7.1.10 GPIO Enable - Function ID F6h

At reset, the Slave Select pins ($\overline{SS0}$, $\overline{SS1}$, $\overline{SS2}$ and $\overline{SS3}$) are configured to be used as slave select outputs. If these pins are not required for the SPI functions, they can be used as GPIO after they are enabled as GPIO. Any combination of pins may be configured to function as GPIO or Slave Selects.

After the GPIO Enable function is sent, the ports defined as GPIO will be configured as quasi-bidirectional.

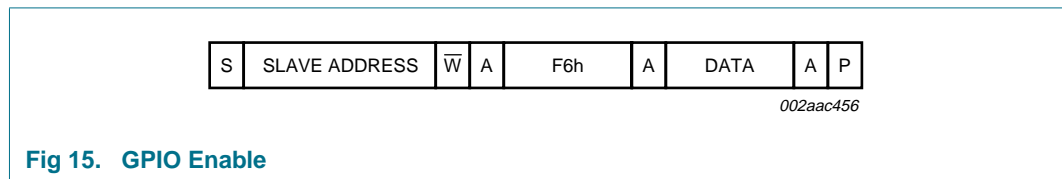


Fig 15. GPIO Enable

The data byte following the F6h command byte will determine which pins can be used as GPIO. A logic 1 will enable the pin as a GPIO, while a logic 0 will disable GPIO control.

Table 8. GPIO Enable (F6h) bit allocation

7	6	5	4	3	2	1	0
X	X	X	X	SS3 ^[1]	SS2	SS1	SS0

[1] SS3 does not exist in the SC18IS603.

7.1.11 GPIO Configuration - Function ID F7h

The pins defined as GPIO may be configured by software to one of four types on a pin-by-pin basis. These are: quasi-bidirectional, push-pull, open-drain, and input-only.

Two bits select the output type for each port pin.

Table 9. GPIO Configuration (F7h) bit allocation

7	6	5	4	3	2	1	0
SS3.1[1]	SS3.0[1]	SS2.1	SS2.0	SS1.1	SS1.0	SS0.1	SS0.0

[1] SS3.1 and SS3.0 do not exist in the SC18IS603.

Table 10. GPIO Configuration (F7h) bit description

Bit	Symbol	Description
7	SS3.1[1]	SS3[1:0] = 00: quasi-bidirectional
6	SS3.0[1]	SS3[1:0] = 01: push-pull SS3[1:0] = 10: input-only (high-impedance) SS3[1:0] = 11: open-drain
5	SS2.1	SS2[1:0] = 00: quasi-bidirectional
4	SS2.0	SS2[1:0] = 01: push-pull SS2[1:0] = 10: input-only (high-impedance) SS2[1:0] = 11: open-drain
3	SS1.1	SS1[1:0] = 00: quasi-bidirectional
2	SS1.0	SS1[1:0] = 01: push-pull SS1[1:0] = 10: input-only (high-impedance) SS1[1:0] = 11: open-drain
1	SS0.1	SS0[1:0] = 00: quasi-bidirectional
0	SS0.0	SS0[1:0] = 01: push-pull SS0[1:0] = 10: input-only (high-impedance) SS0[1:0] = 11: open-drain

[1] SS3.1 and SS3.0 do not exist in the SC18IS603.

The \overline{SSn} pins defined as GPIO, for example SS0.0 and SS0.1, may be configured by software to one of four types. These are: quasi-bidirectional, push-pull, open-drain, and input-only. Two configuration bits in GPIO Configuration register for each pin select the type for each pin. A pin has Schmitt-triggered input that also has a glitch suppression circuit. For SC18IS603, the $\overline{SS3}$ pin defined as GPIO is non-existent.

7.1.11.1 Quasi-bidirectional output configuration

Quasi-bidirectional outputs can be used both as an input and output without the need to reconfigure the pin. This is possible because when the pin outputs a logic HIGH, it is weakly driven, allowing an external device to pull the pin LOW. When the pin is driven LOW, it is driven strongly and able to sink a large current. There are three pull-up transistors in the quasi-bidirectional output that serve different purposes.

One of these pull-ups, called the 'very weak' pull-up, is turned on whenever the port latch for the pin contains a logic 1. This very weak pull-up sources a very small current that will pull the pin HIGH if it is left floating.

A second pull-up, called the 'weak' pull-up, is turned on when the port latch for the pin contains a logic 1 and the pin itself is also at a logic 1 level. This pull-up provides the primary source current for a quasi-bidirectional pin that is outputting a 1. If this pin is pulled LOW by an external device, the weak pull-up turns off, and only the very weak pull-up remains on. In order to pull the pin LOW under these conditions, the external device has to sink enough current to overpower the weak pull-up and pull the pin below its input threshold voltage.

The third pull-up is referred to as the 'strong' pull-up. This pull-up is used to speed up LOW-to-HIGH transitions on a quasi-bidirectional pin when the port latch changes from a logic 0 to a logic 1. When this occurs, the strong pull-up turns on for two CPU clocks quickly pulling the pin HIGH.

The quasi-bidirectional pin configuration is shown in [Figure 16](#).

Although the SC18IS602/602B/603 is a 3 V device, most of the pins are 5 V tolerant. If 5 V is applied to a pin configured in quasi-bidirectional mode, there will be a current flowing from the pin to V_{DD} causing extra power consumption. Therefore, applying 5 V to pins configured in quasi-bidirectional mode is discouraged.

A quasi-bidirectional pin has a Schmitt-triggered input that also has a glitch suppression circuit.

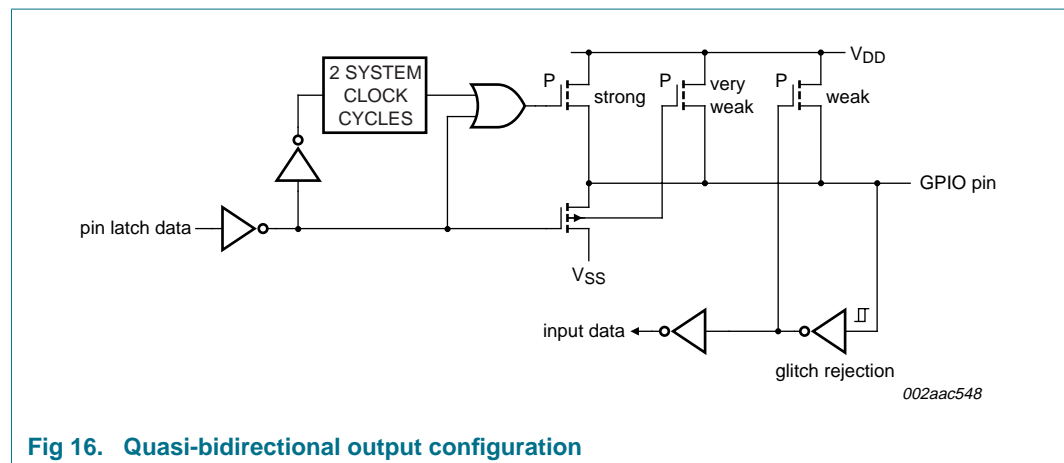


Fig 16. Quasi-bidirectional output configuration

7.1.11.2 Open-drain output configuration

The open-drain output configuration turns off all pull-ups and only drives the pull-down transistor of the pin when the port latch contains a logic 0. To be used as a logic output, a pin configured in this manner must have an external pull-up, typically a resistor tied to V_{DD}. The pull-down for this mode is the same as for the quasi-bidirectional mode.

The open-drain pin configuration is shown in [Figure 17](#).

An open-drain pin has a Schmitt-triggered input that also has a glitch suppression circuit.

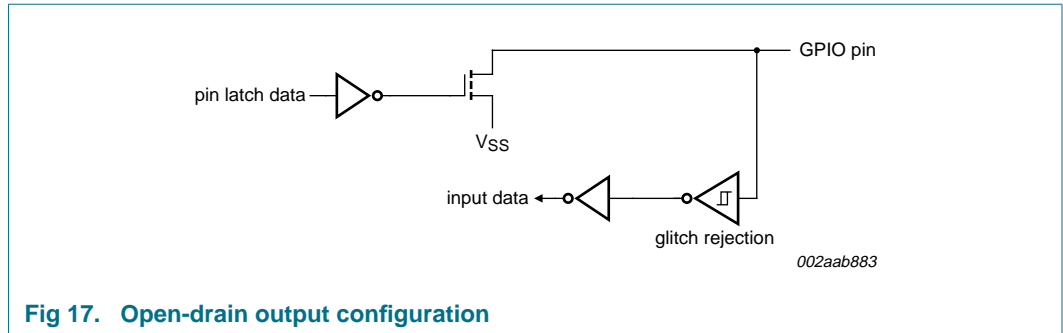


Fig 17. Open-drain output configuration

7.1.11.3 Input-only configuration

The input-only pin configuration is shown in [Figure 18](#). It is a Schmitt-triggered input that also has a glitch suppression circuit.

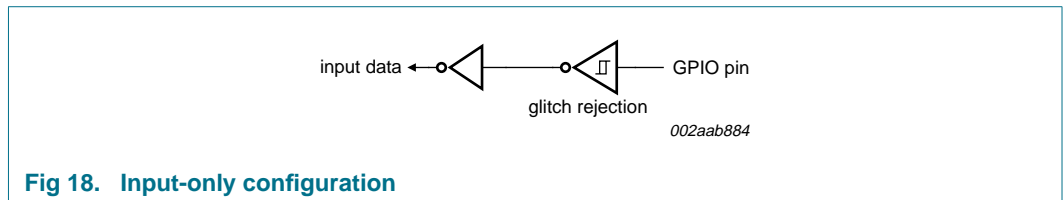


Fig 18. Input-only configuration

7.1.11.4 Push-pull output configuration

The push-pull output configuration has the same pull-down structure as both the open-drain and the quasi-bidirectional output modes but provides a continuous strong pull-up when the port latch contains a logic 1. The push-pull mode may be used when more source current is needed from a pin output.

The push-pull pin configuration is shown in [Figure 19](#).

A push-pull pin has a Schmitt-triggered input that also has a glitch suppression circuit.

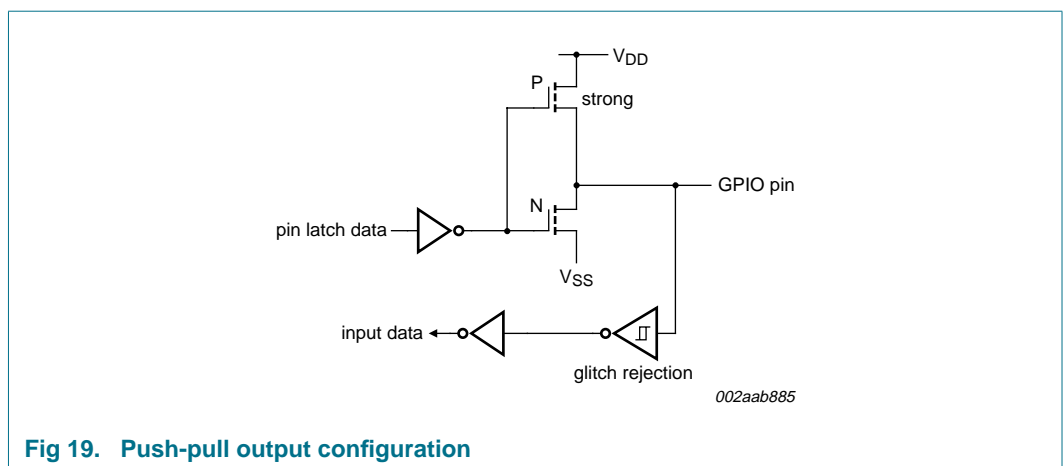


Fig 19. Push-pull output configuration

7.2 External clock input (SC18IS603)

In this device, the processor clock is derived from an external source driving the CLKIN pin. The rate may be from 0 Hz up to 18 MHz.

Using the external clock allows higher frequencies from the SPI interface, thus the SPI Master operating can be up to 4 Mbit/s. The CLKIN frequency does not affect the clock speed of the I²C-bus interface, however, it will have an effect on the low period between bytes on the I²C-bus.

7.3 SPI interface

The SPI interface can support Mode 0 through Mode 3 of the SPI specification and can operate up to 1.8 Mbit/s (SC18IS602/602B) or 4.0 Mbit/s (SC18IS603). The SPI interface uses at least four pins: SPICLK, MOSI, MISO, and Slave Select (\overline{SSn}).

\overline{SSn} are the slave select pins. In a typical configuration, an SPI master selects one SPI device as the current slave.

There are actually four \overline{SSn} pins ($\overline{SS0}$, $\overline{SS1}$, $\overline{SS2}$ and $\overline{SS3}$) to allow the SC18IS602/602B/603 to communicate with multiple SPI devices.

The SC18IS602/602B/603 generates the SPICLK (SPI clock) signal in order to send and receive data. The SCLK, MOSI, and MISO are typically tied together between two or more SPI devices. Data flows from the SC18IS602/602B/603 (master) to slave on the MOSI pin (Pin 6) and the data flows from slave to SC18IS602/602B/603 (master) on the MISO pin (Pin 5).

8. I²C-bus to SPI communications example

The following example describes a typical sequence of events required to read the contents of an SPI-based EEPROM. This example assumes that the SC18IS602/602B/603 is configured to respond to address 50h. A START condition is shown as 'ST', while a STOP condition is 'SP'. The data is presented in hexadecimal format.

1. The first message is used to configure the SPI port for mode and frequency.

```
ST,50,F0,02,SP    SPI frequency 115 kHz using Mode 0
```

2. An SPI EEPROM first requires that a Write Enable command be sent before data can be written.

```
ST,50,04,06,SP    EEPROM write enable using SS2, assuming the Write Enable is 06h
```

3. Clear the interrupt. This is not required if using a polling method rather than interrupts.

```
ST,50,F1,SP    Clear interrupt
```

4. Write the 8 data bytes. The first byte (Function ID) tells the SC18IS602/602B/603 which Slave Select output to use. This example uses SS2 (shown as 04h). The first byte sent to the EEPROM is normally 02h for the EEPROM write command. The next one or two bytes represent the subaddress in the EEPROM. In this example, a two-byte subaddress is used. Bytes 00 and 30 would cause the EEPROM to write to subaddress 0030h. The next eight bytes are the eight data bytes that will be written to subaddresses 0030h through 0037h.

```
ST,50,04,02,00,30,01,02,03,04,05,06,07,08,SP    Write 8 bytes using SS2
```

5. When an interrupt occurs, do a Clear Interrupt or wait until the SC18IS602/602B/603 responds to its I²C-bus address.

```
ST,50,F1,SP    Clear interrupt
```

6. Read the 8 bytes from the EEPROM. Note that we are writing a command, even though we are going to perform a read from the SPI port. The Function ID is again 04h, indicating that we are going to use SS2. The EEPROM requires that you send a 03h for a read, followed by the subaddress you would like to read. We are going to read back the same data previously written, so this means that the subaddress should be 0030h. We would like to read back 8 bytes so we can send eight bytes of FFh to tell the SC18IS602/602B/603 to send eight more bytes on MOSI. While it is sending these eight data bytes, it is also reading the MISO pin and saving the data in the buffer.

```
ST,50,04,03,00,30,FF,FF,FF,FF,FF,FF,FF,FF,SP    Read 8 bytes using SS2
```

7. The interrupt can be cleared, if needed.

```
ST,50,F1,SP    Clear interrupt
```

8. Read back the data buffer. Note that we will actually need to read back 11 data bytes since the first three bytes sent on the SPI port were the read code (03h) and the two subaddress bytes.

```
ST,50,00,00,00,01,02,03,04,05,06,07,08,SP    Read the data buffer
```

You can see that on the I²C-bus the first four bytes do not contain the data from the SPI bus. The first byte is the SC18IS60x address, followed by three dummy data bytes. These dummy data bytes correspond to the three bytes sent to the EEPROM before it actually places data on the bus (command 03h, subaddress 0030h).

9. Limiting values

Table 11. Limiting values

In accordance with the Absolute Maximum Rating System (IEC 60134).^{[1][2]}

Symbol	Parameter	Conditions	Min	Max	Unit
T _{amb(bias)}	bias ambient temperature	operating	-55	+125	°C
T _{stg}	storage temperature		-65	+150	°C
V _n	voltage on any other pin	referenced to V _{SS}	-0.5	+5.5	V
I _{OH(I/O)}	HIGH-level output current per input/output pin		-	8	mA
I _{OL(I/O)}	LOW-level output current per input/output pin		-	20	mA
I _{I/O(tot)(max)}	maximum total I/O current		-	120	mA
P _{tot/pack}	total power dissipation per package		^[3] -	1.5	W

- [1] This product includes circuitry specifically designed for the protection of its internal devices from the damaging effects of excessive static charge. Nonetheless, it is suggested that conventional precautions be taken to avoid applying greater than the rated maximum.
- [2] Parameters are valid over the operating temperature range unless otherwise specified. All voltages are with respect to V_{SS} unless otherwise noted.
- [3] Based on package heat transfer, not device power consumption.

10. Static characteristics

Table 12. Static characteristics

$V_{DD} = 2.4\text{ V to }3.6\text{ V}$; $T_{amb} = -40\text{ °C to }+85\text{ °C (industrial)}$; unless otherwise specified.

Symbol	Parameter	Conditions	Min	Typ ^[1]	Max	Unit
$I_{DD(oper)}$	operating supply current	$V_{DD} = 3.6\text{ V}$				
		$f = 7.3728\text{ MHz}$	-	5.6	6.7	mA
		$f = 12\text{ MHz}$	-	7	13	mA
		$f = 18\text{ MHz}$	-	11	16	mA
$I_{DD(idle)}$	Idle mode supply current	$V_{DD} = 3.6\text{ V}$				
		$f = 7.3728\text{ MHz}$	-	3.3	3.9	mA
		$f = 12\text{ MHz}$	-	3.6	4.8	mA
		$f = 18\text{ MHz}$	-	4	6	mA
$V_{th(HL)}$	HIGH-LOW threshold voltage	Schmitt trigger input	$0.22V_{DD}$	$0.4V_{DD}$	-	V
$V_{th(LH)}$	LOW-HIGH threshold voltage	Schmitt trigger input	-	$0.6V_{DD}$	$0.7V_{DD}$	V
V_{hys}	hysteresis voltage		-	$0.2V_{DD}$	-	V
V_{OL}	LOW-level output voltage	all pins				
		$I_{OL} = 20\text{ mA}$	-	0.6	1.0	V
		$I_{OL} = 10\text{ mA}$	-	0.3	0.5	V
		$I_{OL} = 3.2\text{ mA}$	-	0.2	0.3	V
V_{OH}	HIGH-level output voltage	all pins				
		$I_{OH} = -8\text{ mA}$; push-pull mode	$V_{DD} - 1$	-	-	V
		$I_{OH} = -3.2\text{ mA}$; push-pull mode	$V_{DD} - 0.7$	$V_{DD} - 0.4$	-	V
		$I_{OH} = -20\text{ }\mu\text{A}$; quasi-bidirectional mode	$V_{DD} - 0.3$	$V_{DD} - 0.2$	-	V
C_{ig}	input capacitance at gate		^[2] -	-	15	pF
I_{IL}	LOW-level input current	logical 0; $V_I = 0.4\text{ V}$	^[3] -	-	-80	μA
I_{LI}	input leakage current	all ports; $V_I = V_{IL}$ or V_{IH}	^[4] -	-	± 10	μA
I_{THL}	HIGH-LOW transition current	all ports; logical 1-to-0; $V_I = 2.0\text{ V}$ at $V_{DD} = 3.6\text{ V}$	^{[5][6]} -30	-	-450	μA
$R_{RESET_N(int)}$	internal pull-up resistance on pin RESET		10	-	30	k Ω

[1] Typical ratings are not guaranteed. The values listed are at room temperature, 3 V.

[2] Pin capacitance is characterized but not tested.

[3] Measured with pins in quasi-bidirectional mode.

[4] Measured with pins in high-impedance mode.

[5] Pins in quasi-bidirectional mode with weak pull-up (applies to all pins with pull-ups).

[6] Pins source a transition current when used in quasi-bidirectional mode and externally driven from logic 1 to logic 0. This current is highest when V_I is approximately 2 V.

11. Dynamic characteristics

Table 13. Dynamic characteristics

$V_{DD} = 2.4\text{ V to }3.6\text{ V}$; $T_{amb} = -40\text{ °C to }+85\text{ °C (industrial)}$; unless otherwise specified.

Symbol	Parameter	Conditions	Variable clock		$f_{osc} = 12\text{ MHz}$		Unit
			Min	Max	Min	Max	
$f_{osc(RC)}$	internal RC oscillator frequency	nominal $f = 7.3728\text{ MHz}$; trimmed to $\pm 1\%$ at $T_{amb} = 25\text{ °C}$	7.189	7.557	-	-	MHz

External clock input

f_{osc}	oscillator frequency	[1]	0	18	-	-	MHz
T_{CLCL}	clock cycle time		55	-	-	-	ns
t_{CHCX}	clock HIGH time		22	$T_{CLCL} - t_{CLCX}$	22	-	ns
t_{CLCX}	clock LOW time		22	$T_{CLCL} - t_{CHCX}$	22	-	ns
t_{CLCH}	clock rise time		-	5	-	5	ns
t_{CHCL}	clock fall time		-	5	-	5	ns

Glitch filter

t_{gr}	glitch rejection time	$\overline{\text{RESET}}$ pin	-	50	-	50	ns
		any pin except $\overline{\text{RESET}}$	125	-	125	-	ns
t_{sa}	signal acceptance time	$\overline{\text{RESET}}$ pin	-	15	-	15	ns
		any pin except $\overline{\text{RESET}}$	50	-	50	-	ns

SPI master interface

f_{SPI}	SPI operating frequency	4.5 MHz	-	$f_{osc}/4$	-	4.5	MHz
T_{SPICYC}	SPI cycle time	4.5 MHz	$4/f_{osc}$	-	222	-	ns
$t_{SPICLKH}$	SPICLK HIGH time		$2/f_{osc}$	-	111	-	ns
$t_{SPICLKL}$	SPICLK LOW time		$2/f_{osc}$	-	111	-	ns
t_{SPIDSU}	SPI data set-up time		100	-	100	-	ns
t_{SPIDH}	SPI data hold time		100	-	100	-	ns
t_{SPIDV}	SPI enable to output data valid time	3.0 MHz	0	160	-	160	ns
		4.5 MHz	0	111	-	111	ns
t_{SPIOH}	SPI output data hold time		0	-	0	-	ns
t_{SPIR}	SPI rise time	SPI outputs (SPICLK, MOSI, MISO)	-	100	-	100	ns
		SPI inputs (SPICLK, MOSI, MISO, SSn)	-	2000	-	2000	ns
t_{SPIF}	SPI fall time	SPI outputs (SPICLK, MOSI, MISO)	-	100	-	100	ns
		SPI inputs (SPICLK, MOSI, MISO, SSn)	-	2000	-	2000	ns

[1] Parameters are valid over operating temperature range unless otherwise specified. Parts are tested to 2 MHz, but are guaranteed to operate down to 0 Hz.

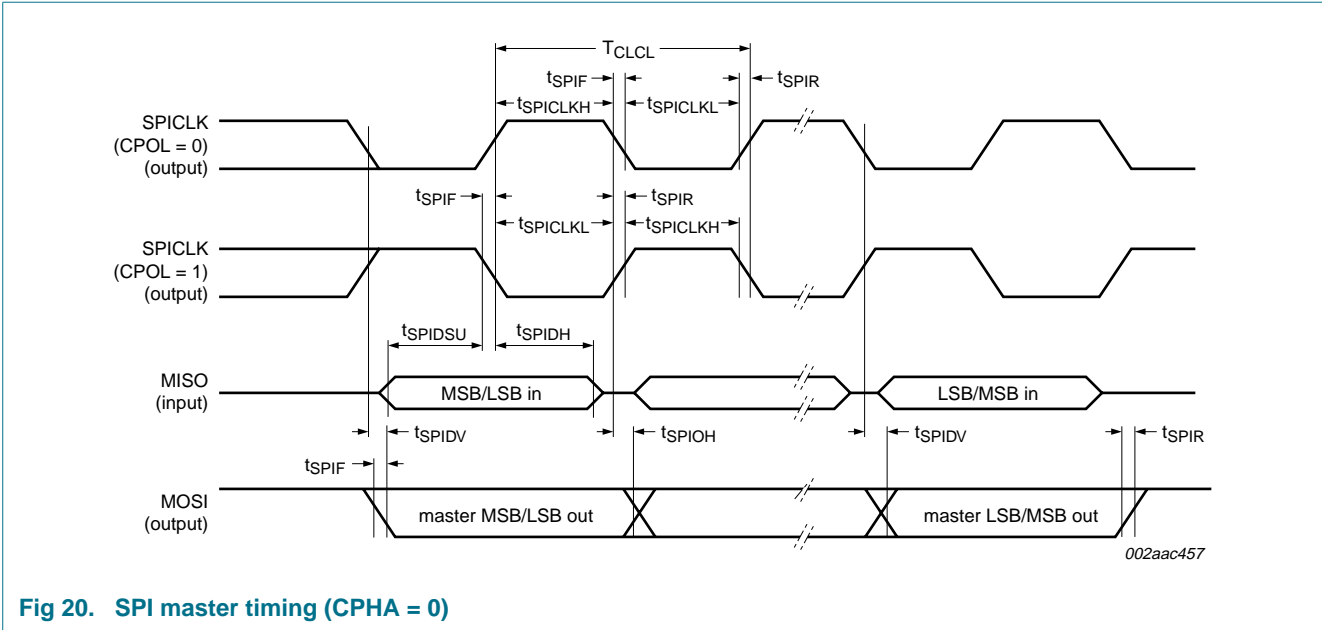


Fig 20. SPI master timing (CPHA = 0)

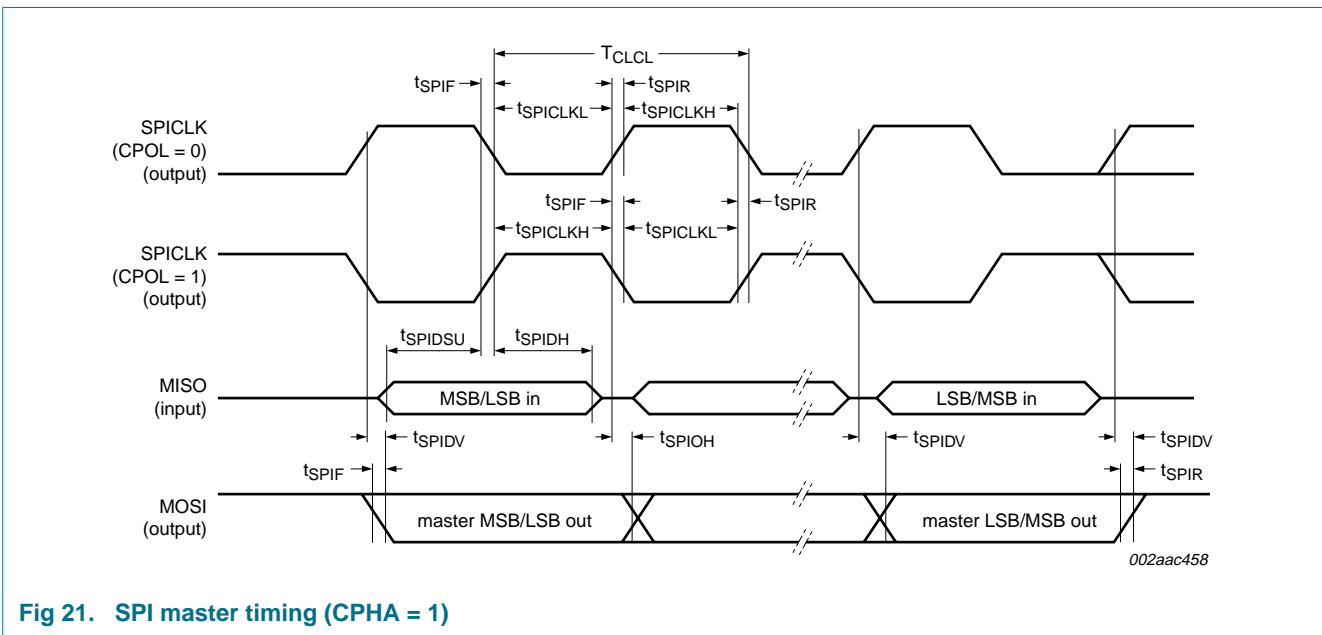


Fig 21. SPI master timing (CPHA = 1)

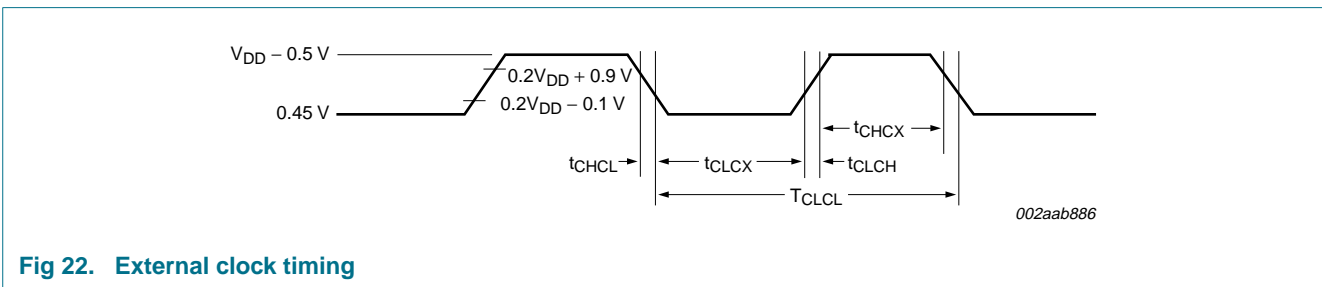


Fig 22. External clock timing

12. Package outline

TSSOP16: plastic thin shrink small outline package; 16 leads; body width 4.4 mm

SOT403-1

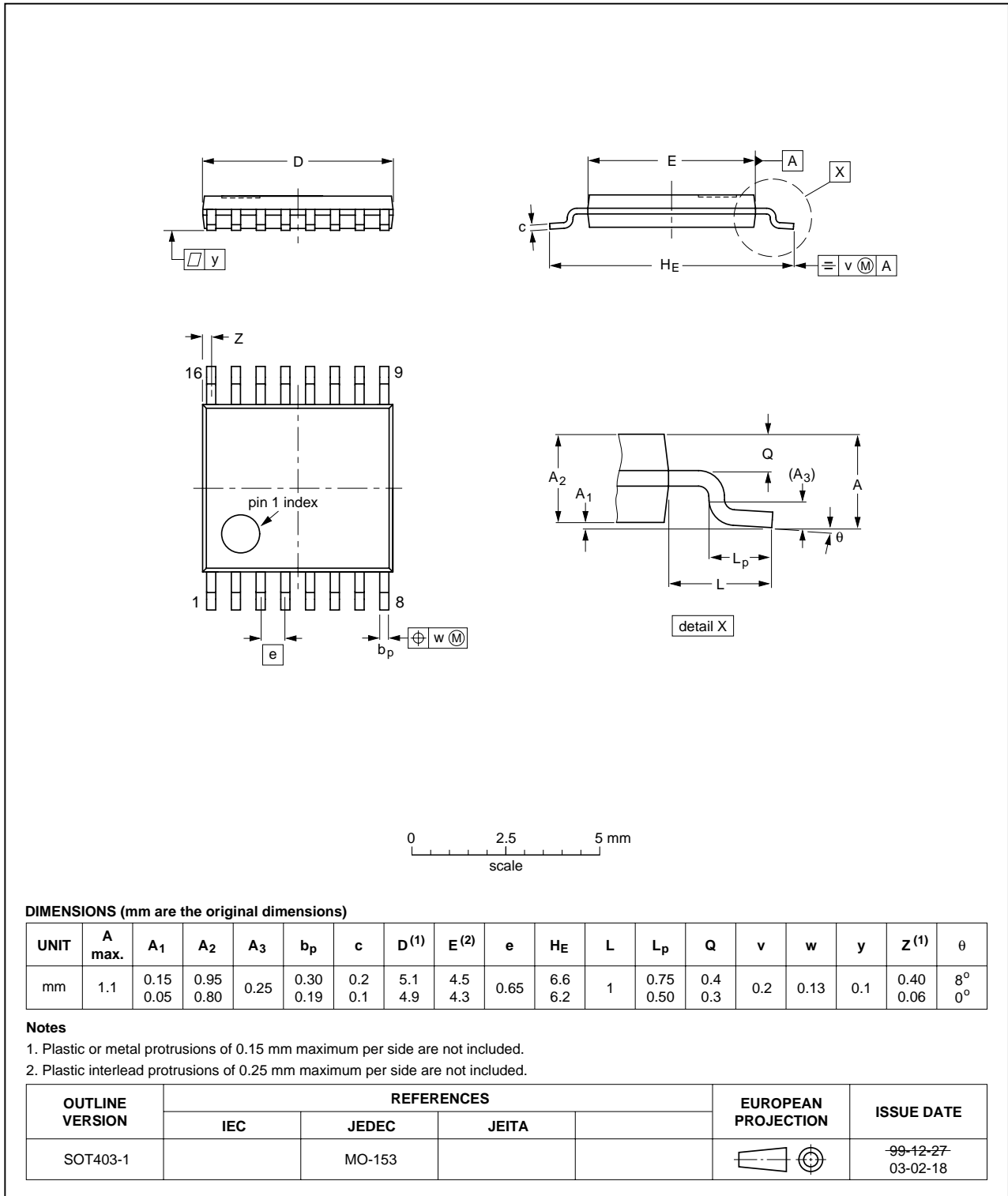


Fig 23. Package outline SOT403-1 (TSSOP16)

13. Soldering of SMD packages

This text provides a very brief insight into a complex technology. A more in-depth account of soldering ICs can be found in Application Note *AN10365 "Surface mount reflow soldering description"*.

13.1 Introduction to soldering

Soldering is one of the most common methods through which packages are attached to Printed Circuit Boards (PCBs), to form electrical circuits. The soldered joint provides both the mechanical and the electrical connection. There is no single soldering method that is ideal for all IC packages. Wave soldering is often preferred when through-hole and Surface Mount Devices (SMDs) are mixed on one printed wiring board; however, it is not suitable for fine pitch SMDs. Reflow soldering is ideal for the small pitches and high densities that come with increased miniaturization.

13.2 Wave and reflow soldering

Wave soldering is a joining technology in which the joints are made by solder coming from a standing wave of liquid solder. The wave soldering process is suitable for the following:

- Through-hole components
- Leaded or leadless SMDs, which are glued to the surface of the printed circuit board

Not all SMDs can be wave soldered. Packages with solder balls, and some leadless packages which have solder lands underneath the body, cannot be wave soldered. Also, leaded SMDs with leads having a pitch smaller than ~0.6 mm cannot be wave soldered, due to an increased probability of bridging.

The reflow soldering process involves applying solder paste to a board, followed by component placement and exposure to a temperature profile. Leaded packages, packages with solder balls, and leadless packages are all reflow solderable.

Key characteristics in both wave and reflow soldering are:

- Board specifications, including the board finish, solder masks and vias
- Package footprints, including solder thieves and orientation
- The moisture sensitivity level of the packages
- Package placement
- Inspection and repair
- Lead-free soldering versus SnPb soldering

13.3 Wave soldering

Key characteristics in wave soldering are:

- Process issues, such as application of adhesive and flux, clinching of leads, board transport, the solder wave parameters, and the time during which components are exposed to the wave
- Solder bath specifications, including temperature and impurities

13.4 Reflow soldering

Key characteristics in reflow soldering are:

- Lead-free versus SnPb soldering; note that a lead-free reflow process usually leads to higher minimum peak temperatures (see [Figure 24](#)) than a SnPb process, thus reducing the process window
- Solder paste printing issues including smearing, release, and adjusting the process window for a mix of large and small components on one board
- Reflow temperature profile; this profile includes preheat, reflow (in which the board is heated to the peak temperature) and cooling down. It is imperative that the peak temperature is high enough for the solder to make reliable solder joints (a solder paste characteristic). In addition, the peak temperature must be low enough that the packages and/or boards are not damaged. The peak temperature of the package depends on package thickness and volume and is classified in accordance with [Table 14](#) and [15](#)

Table 14. SnPb eutectic process (from J-STD-020C)

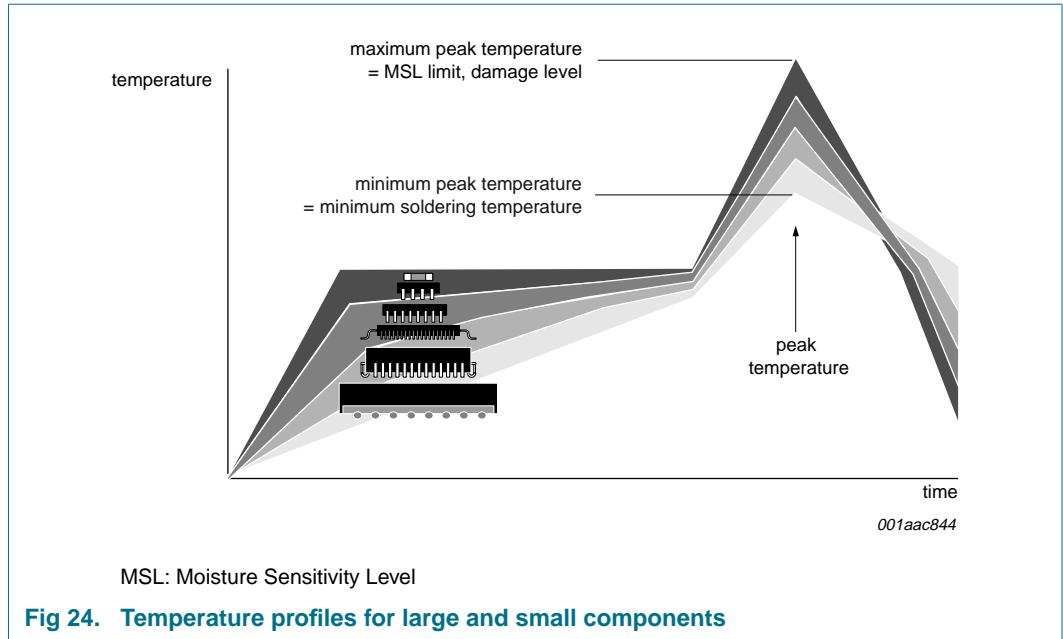
Package thickness (mm)	Package reflow temperature (°C)	
	Volume (mm ³)	
	< 350	≥ 350
< 2.5	235	220
≥ 2.5	220	220

Table 15. Lead-free process (from J-STD-020C)

Package thickness (mm)	Package reflow temperature (°C)		
	Volume (mm ³)		
	< 350	350 to 2000	> 2000
< 1.6	260	260	260
1.6 to 2.5	260	250	245
> 2.5	250	245	245

Moisture sensitivity precautions, as indicated on the packing, must be respected at all times.

Studies have shown that small packages reach higher temperatures during reflow soldering, see [Figure 24](#).



For further information on temperature profiles, refer to Application Note AN10365 “Surface mount reflow soldering description”.

14. Abbreviations

Table 16. Abbreviations

Acronym	Description
CDM	Charged Device Model
CPU	Central Processing Unit
EEPROM	Electrically Erasable Programmable Read-Only Memory
ESD	ElectroStatic Discharge
GPIO	General Purpose Input/Output
HBM	Human Body Model
I/O	Input/Output
I ² C-bus	Inter-Integrated Circuit bus
LSB	Least Significant Bit
MM	Machine Model
MSB	Most Significant Bit
SPI	Serial Peripheral Interface

15. Revision history

Table 17. Revision history

Document ID	Release date	Data sheet status	Change notice	Supersedes
SC18IS602_602B_603_4	20080311	Product data sheet	-	SC18IS602_603_3
Modifications:		<ul style="list-style-type: none"> • added Type number SC18IS602BIPW • Section 1 “General description”, 2nd paragraph: added second sentence. • Section 6 “Pinning information”: <ul style="list-style-type: none"> – added “SC18IS602BIPW” to Figure 3a – Table 2 “Pin description”: added Table note [1] and Table note [2] and their references at pin 10 • Table 3 “Function ID 01h to 0Fh”: added Table note [2] and its reference at bit 2, SS2 • Section 7.1 “I²C-bus interface”, 2nd paragraph: updated title of referenced document 		
SC18IS602_603_3	20070813	Product data sheet	-	SC18IS602_603_2
SC18IS602_603_2	20061213	Product data sheet	-	SC18IS602_603_1
SC18IS602_603_1	20060926	Product data sheet	-	-

16. Legal information

16.1 Data sheet status

Document status ^{[1][2]}	Product status ^[3]	Definition
Objective [short] data sheet	Development	This document contains data from the objective specification for product development.
Preliminary [short] data sheet	Qualification	This document contains data from the preliminary specification.
Product [short] data sheet	Production	This document contains the product specification.

[1] Please consult the most recently issued document before initiating or completing a design.

[2] The term 'short data sheet' is explained in section "Definitions".

[3] The product status of device(s) described in this document may have changed since this document was published and may differ in case of multiple devices. The latest product status information is available on the Internet at URL <http://www.nxp.com>.

16.2 Definitions

Draft — The document is a draft version only. The content is still under internal review and subject to formal approval, which may result in modifications or additions. NXP Semiconductors does not give any representations or warranties as to the accuracy or completeness of information included herein and shall have no liability for the consequences of use of such information.

Short data sheet — A short data sheet is an extract from a full data sheet with the same product type number(s) and title. A short data sheet is intended for quick reference only and should not be relied upon to contain detailed and full information. For detailed and full information see the relevant full data sheet, which is available on request via the local NXP Semiconductors sales office. In case of any inconsistency or conflict with the short data sheet, the full data sheet shall prevail.

16.3 Disclaimers

General — Information in this document is believed to be accurate and reliable. However, NXP Semiconductors does not give any representations or warranties, expressed or implied, as to the accuracy or completeness of such information and shall have no liability for the consequences of use of such information.

Right to make changes — NXP Semiconductors reserves the right to make changes to information published in this document, including without limitation specifications and product descriptions, at any time and without notice. This document supersedes and replaces all information supplied prior to the publication hereof.

Suitability for use — NXP Semiconductors products are not designed, authorized or warranted to be suitable for use in medical, military, aircraft, space or life support equipment, nor in applications where failure or malfunction of an NXP Semiconductors product can reasonably be expected

to result in personal injury, death or severe property or environmental damage. NXP Semiconductors accepts no liability for inclusion and/or use of NXP Semiconductors products in such equipment or applications and therefore such inclusion and/or use is at the customer's own risk.

Applications — Applications that are described herein for any of these products are for illustrative purposes only. NXP Semiconductors makes no representation or warranty that such applications will be suitable for the specified use without further testing or modification.

Limiting values — Stress above one or more limiting values (as defined in the Absolute Maximum Ratings System of IEC 60134) may cause permanent damage to the device. Limiting values are stress ratings only and operation of the device at these or any other conditions above those given in the Characteristics sections of this document is not implied. Exposure to limiting values for extended periods may affect device reliability.

Terms and conditions of sale — NXP Semiconductors products are sold subject to the general terms and conditions of commercial sale, as published at <http://www.nxp.com/profile/terms>, including those pertaining to warranty, intellectual property rights infringement and limitation of liability, unless explicitly otherwise agreed to in writing by NXP Semiconductors. In case of any inconsistency or conflict between information in this document and such terms and conditions, the latter will prevail.

No offer to sell or license — Nothing in this document may be interpreted or construed as an offer to sell products that is open for acceptance or the grant, conveyance or implication of any license under any copyrights, patents or other industrial or intellectual property rights.

16.4 Trademarks

Notice: All referenced brands, product names, service names and trademarks are the property of their respective owners.

I²C-bus — logo is a trademark of NXP B.V.

17. Contact information

For more information, please visit: <http://www.nxp.com>

For sales office addresses, please send an email to: salesaddresses@nxp.com

18. Contents

1	General description	1	18	Contents	25
2	Features	1			
3	Applications	1			
4	Ordering information	2			
5	Block diagram	2			
6	Pinning information	3			
6.1	Pinning	3			
6.2	Pin description	3			
7	Functional description	4			
7.1	I ² C-bus interface	4			
7.1.1	Addressing	5			
7.1.2	Write to data buffer	5			
7.1.3	SPI read and write - Function ID 01h to 0Fh ..	5			
7.1.4	Read from buffer	6			
7.1.5	Configure SPI Interface - Function ID F0h ..	7			
7.1.6	Clear Interrupt - Function ID F1h	8			
7.1.7	Idle mode - Function ID F2h	8			
7.1.8	GPIO Write - Function ID F4h	8			
7.1.9	GPIO Read - Function ID F5h	9			
7.1.10	GPIO Enable - Function ID F6h	9			
7.1.11	GPIO Configuration - Function ID F7h	10			
7.1.11.1	Quasi-bidirectional output configuration	10			
7.1.11.2	Open-drain output configuration	11			
7.1.11.3	Input-only configuration	12			
7.1.11.4	Push-pull output configuration	12			
7.2	External clock input (SC18IS603)	13			
7.3	SPI interface	13			
8	I²C-bus to SPI communications example ..	14			
9	Limiting values	15			
10	Static characteristics	16			
11	Dynamic characteristics	17			
12	Package outline	19			
13	Soldering of SMD packages	20			
13.1	Introduction to soldering	20			
13.2	Wave and reflow soldering	20			
13.3	Wave soldering	20			
13.4	Reflow soldering	21			
14	Abbreviations	22			
15	Revision history	23			
16	Legal information	24			
16.1	Data sheet status	24			
16.2	Definitions	24			
16.3	Disclaimers	24			
16.4	Trademarks	24			
17	Contact information	24			

Please be aware that important notices concerning this document and the product(s) described herein, have been included in section 'Legal information'.



© NXP B.V. 2008.

All rights reserved.

For more information, please visit: <http://www.nxp.com>

For sales office addresses, please send an email to: salesaddresses@nxp.com

Date of release: 11 March 2008

Document identifier: SC18IS602_602B_603_4